

SPECIFICATION FOR APPROVAL

承 认 书

CUSTOMER

NUMBER

客户名称:

编 号:

DESCRIPTION

QUANTITY

品 名: 贴片共模滤波器

数 量:

PART NO.

DATE

型 号: BCDCM1211-2-801TA

日 期:

CUSTOMER PART NO.

NOTE

客户料号:

注 解:

APPROVAL SIGNATURE
客户承认签章

| APPROVED BY 核 准 | Q. C. DEPT. 品 管 | CHECKED BY 核 查 | DRAWN BY 制 作 |
|--------------------|--------------------|-------------------|-----------------|
| | | | |

深圳市宝创达电子有限公司

SHENZHEN BAOCHUANGDA ELECTRONICS CO., LTD.

地址: 深圳市龙华区观澜街道横坑河西村77号A栋2楼

Add: 2nd floor building A no.77 hexi village guanlan

Street longhua district shenzhen

Tel: 0755-29736760 Fax: 0755-28056434

Http:// www.bcdcn.com

BCDCM1211-2-801TA

DC COMMON MODE FILTER

FEATURES

- A chip-type common mode filter for large current applications. Common mode impedance surpasses $600\ \Omega$ at 100MHz. Noise is greatly suppressed.
- Capable of handling the highest current (up to 8A) of any chip-type common mode filter.
- Height and size have been considered, resulting in a compact and light-weight choke coil. Applicable for the miniaturization required to reduce the size and weight of portable equipment.
- The products contain no lead and also support lead-free soldering.
- The product does not contain regulated substances that are slated to be included in ROHS.



APPLICATIONS

Used for power line noise suppression for any electronic devices
Used to counter adapter/battery line noise for relatively large electronic devices such as notebook PCs, stand-alone word processors, etc

TEMPERATURE RANGES

| | |
|-----------------------|-------------|
| Operating | -40to+125°C |
| Storage (After mount) | -40to+125°C |

Part Number System

BCDCM 1211 -2 -801 T A

① ② ③ ④ ⑤ ⑥

- ① Type:BCDCM
- ② External Dimensions (L×W) (mm):12*11
- ③ Number of Lines: 2
- ④ Impedance:801=800 Ω
- ⑤ Packing:Tape & Reel
- ⑥ Management Symbol:A

ELECTRICAL CHARACTERISTICS

| Part No. | Impedance [at 100MHz] (Ω) | | DC resistance | Rated current | Insulation resistance |
|-------------------|------------------------------------|-----|----------------------------|---------------|-----------------------|
| | min | typ | (m Ω) max [1 line] | ldc (A) max | (M Ω) min |
| BCDCM1211-2-801TA | 600 | 800 | 8 | 8 | 10 |

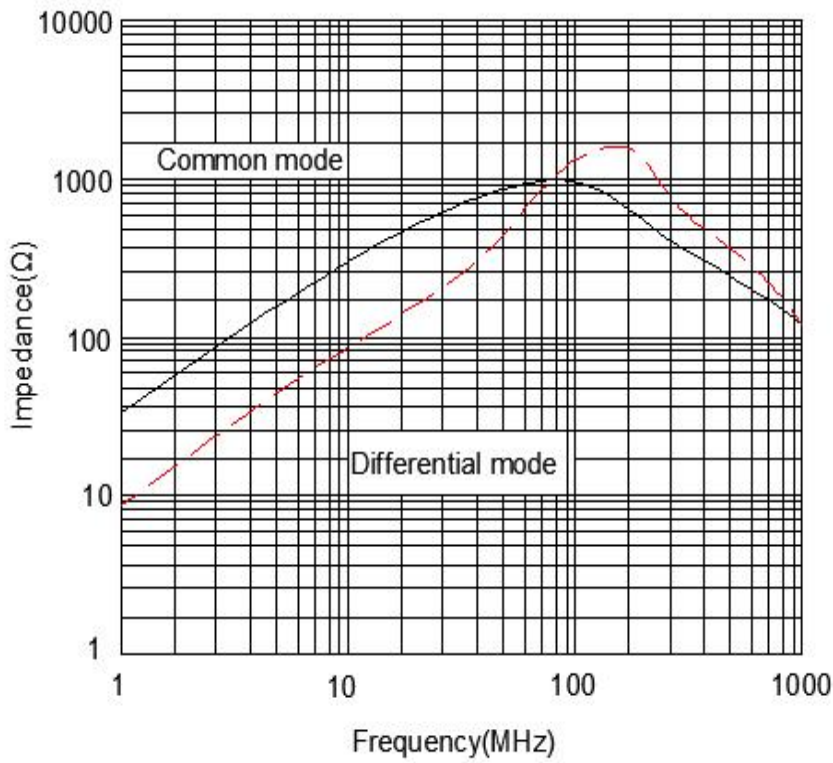
BCDCM1211-2-801TA

DC COMMON MODE FILTER

TYPICAL ELECTRICAL CHARACTERISTICS

IMPEDANCE vs. FREQUENCY CHARACTERISTICS

BCDCM1211-2-801TA

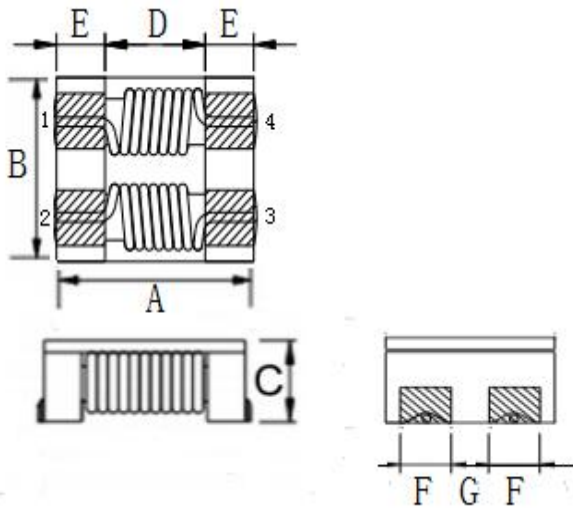


BCDCM1211-2-801TA

DC COMMON MODE FILTER

SHAPES AND DIMENSIONS/CIRCUIT DIAGRAM/RECOMMENDED
PC BOARD PATTERN (REFLOW SOLDERING)

◆ Dimensions (mm)



UNIT: mm

A: 12.0 ± 0.3

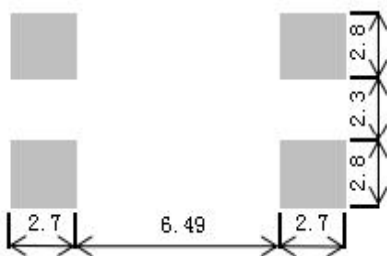
B: 11.0 ± 0.3

C: 6.8 (MAX)

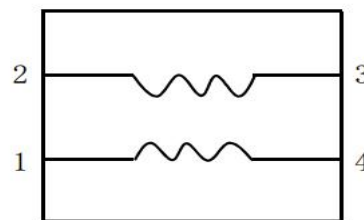
D: 6.75 E: 2.57

F: 2.7 G: 2.5

◆ Land Pattern (mm)



◆ Schematics (Bottom)

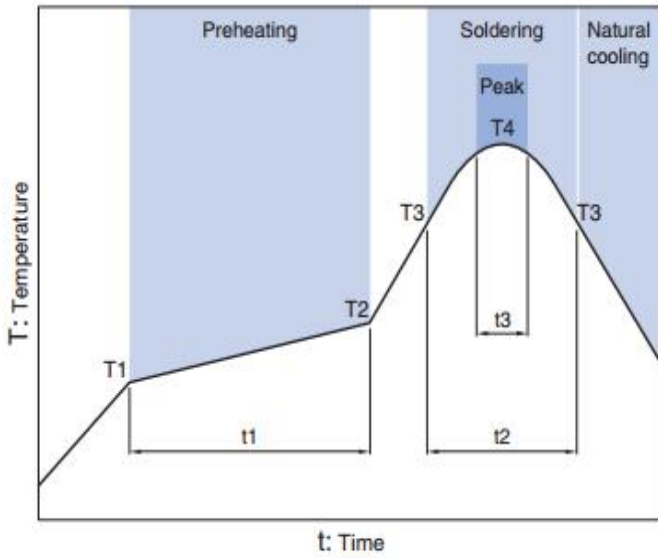


No polarity

BCDCM1211-2-801TA

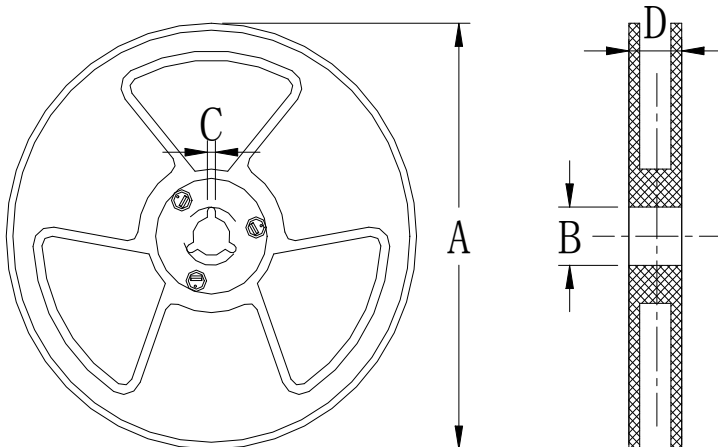
DC COMMON MODE FILTER

Recommended Reflow Temperature Curve



| Preheating | | | Soldering | | Peak | |
|------------|-------|------------|-----------|-----------|-------|------|
| Temp. | Temp. | Time | Temp. | Time | Temp. | Time |
| T1 | T2 | t1 | T3 | t2 | T4 | t3 |
| 150°C | 180°C | 60 to 120s | 230°C | 10 to 30s | 245°C | 5s |

Package
size (mm)



| size | Specs | |
|------|--------------------|--------------------|
| | 13" | 7" |
| A | $\Phi 330 \pm 2.0$ | $\Phi 178 \pm 2.0$ |
| B | $\Phi 90 \pm 2.0$ | |
| C | 2.3 | |
| D | 21.5 | |