

SPECIFICATION FOR APPROVAL

承 认 书

| | |
|------------------------------|-------------------------|
| CUSTOMER 客户名称: | NUMBER 编 号: 标准系列 |
| DESCRIPTION 品 名: 贴片电感 | QUANTITY 数 量: 10PCS |
| PART NO. 型 号: 一体成型系列(合金粉) | DATE 日 期: 2019/11/19 |
| CUSTOMER PART NO. 客户料号: | NOTE 注 解: |

| |
|------------------------------|
| APPROVAL SIGNATURE 客户承认盖章 |
| |

| APPROVED BY 核 准 | Q. C. DEPT. 品 管 | CHECKED BY 核 查 | DRAWN BY 制 作 |
|--------------------|--------------------|-------------------|-----------------|
| 何志军 | 何文静 | 张 雷 | 韦凤红 |

深圳市宝创达电子有限公司
SHENZHEN BAOCHUANGDA ELECTRONICS CO., LTD.

地址: 深圳市龙华区观湖街道横坑河西村77号A栋2楼

Add: 2 / f, building A, no. 77, hexi village, guanhu street ,
longhua district, shenzhen

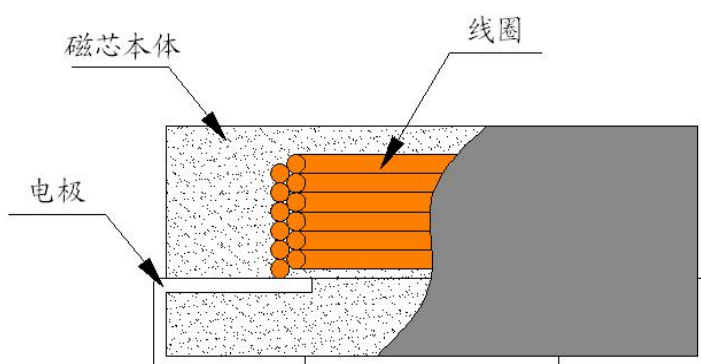
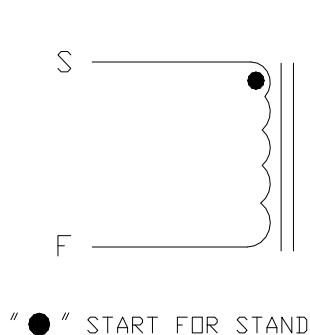
Tel: 0755-29736760 Fax: 0755-28056434

<http://www.bcdcn.com/>

产品外观 Product appearance:



原理图 Schematic Diagram:



产品识别 PRODUCT IDENTIFICATION:

S H C

↓

S: SMD
 H: High
 C: Choke

1005

↓

外形尺寸:
 10.3*10.5*5.0mm

H —

↓

H: 合金粉
 T: 羰基铁粉
 TF: 羰基不锈钢粉
 Y: 压边, 无Y为平面
 无字母: 还原铁粉

1R0

↓

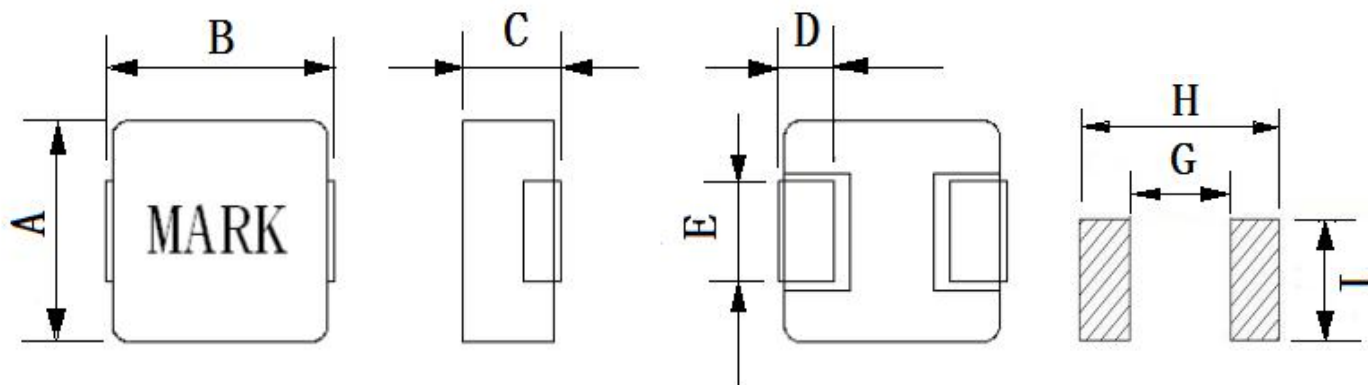
电感量:
 1R0: 1.0UH
 220: 22UH
 221: 220UH

M

↓

M: ±20%
 N: ±30%

产品系列 PRODUCT SERIES



| Part No. | A | B | C(Max.) | D | E | G(Ref.) | H(Ref.) | I(Ref.) |
|-----------|----------|----------|---------|---------|---------|---------|---------|---------|
| SHC0402H | 4.1±0.3 | 4.45±0.3 | 2.00 | 1.1±0.3 | 2.0±0.3 | 1.70 | 5.10 | 2.30 |
| SHC0502H | 5.2±0.3 | 5.6±0.5 | 2.00 | 1.3±0.5 | 2.0±0.3 | 1.90 | 6.20 | 2.50 |
| SHC0503H | 5.2±0.3 | 5.6±0.5 | 3.00 | 1.3±0.5 | 2.0±0.3 | 1.90 | 6.20 | 2.50 |
| SHC0602H | 6.6±0.3 | 7.1±0.5 | 2.00 | 1.6±0.3 | 3.0±0.3 | 2.40 | 7.80 | 3.50 |
| SHC06024H | 6.6±0.3 | 7.1±0.5 | 2.40 | 1.6±0.3 | 3.0±0.3 | 2.40 | 7.80 | 3.50 |
| SHC0603H | 6.6±0.3 | 7.1±0.5 | 3.00 | 1.5±0.3 | 3.0±0.3 | 2.40 | 7.80 | 3.50 |
| SHC0605H | 6.6±0.3 | 7.1±0.5 | 5.00 | 1.5±0.3 | 3.0±0.3 | 2.40 | 7.80 | 3.50 |
| SHC1004H | 10.2±0.3 | 11.0±0.5 | 4.00 | 2.0±0.3 | 3.0±0.3 | 2.90 | 11.80 | 3.50 |
| SHC1005H | 10.2±0.3 | 11.0±0.5 | 5.00 | 2.0±0.3 | 3.0±0.3 | 2.90 | 11.20 | 3.50 |
| SHC1204H | 12.8±0.3 | 14.0±0.5 | 4.00 | 2.5±0.3 | 3.8±0.5 | 3.80 | 14.50 | 4.50 |
| SHC1205H | 12.8±0.3 | 14.0±0.5 | 5.00 | 2.5±0.3 | 3.8±0.5 | 3.80 | 14.50 | 4.50 |
| SHC12065H | 12.8±0.3 | 14.0±0.5 | 6.50 | 2.5±0.3 | 3.8±0.5 | 3.80 | 14.50 | 4.50 |

特性参数 Characteristic Data:

| 产品料号 Part NO. | L0 (μH) @100kHz /1.0V | 直流电阻 DCR (mΩ) | | 额定电流 I _{rms} (A) | 饱和电流 I _{sat} (A) |
|------------------|-----------------------------|------------------|--------|------------------------------|------------------------------|
| | | Typ. | Max. | Typ. | Typ. |
| SHC0402H-R22M | 0.22 | 5.30 | 6.40 | 7.00 | 14.00 |
| SHC0402H-R33M | 0.33 | 6.50 | 10.00 | 6.50 | 12.00 |
| SHC0402H-R47M | 0.47 | 14.00 | 17.00 | 6.00 | 10.00 |
| SHC0402H-R68M | 0.68 | 17.00 | 20.40 | 5.00 | 8.00 |
| SHC0402H-1R0M | 1.00 | 26.00 | 32.00 | 4.00 | 7.00 |
| SHC0402H-1R5M | 1.50 | 35.00 | 42.00 | 3.50 | 6.00 |
| SHC0402H-2R2M | 2.20 | 46.00 | 69.00 | 3.00 | 6.00 |
| SHC0402H-3R3M | 3.30 | 75.00 | 90.00 | 2.50 | 4.00 |
| SHC0402H-4R7M | 4.70 | 100.00 | 120.00 | 2.00 | 3.50 |
| SHC0402H-6R8M | 6.80 | 145.00 | 180.00 | 1.80 | 3.00 |

| | | | | | |
|---------------|-------|--------|--------|------|------|
| SHC0402H-100M | 10.00 | 230.00 | 290.00 | 1.50 | 2.50 |
|---------------|-------|--------|--------|------|------|

| 产品料号 Part NO. | L0 (μH) @100kHz /1.0V | 直流电阻 DCR (mΩ) | | 额定电流 I rms (A) | 饱和电流 I sat (A) |
|------------------|-----------------------------|------------------|--------|-------------------|-------------------|
| | | Typ. | Max. | Typ. | Typ. |
| SHC0502H-R22M | 0.22 | 4.40 | 5.30 | 11.00 | 15.00 |
| SHC0502H-R33M | 0.33 | 8.00 | 12.00 | 7.00 | 13.00 |
| SHC0502H-R47M | 0.47 | 10.50 | 13.00 | 8.00 | 12.00 |
| SHC0502H-R68M | 0.68 | 14.00 | 17.00 | 6.00 | 10.00 |
| SHC0502H-1R0M | 1.00 | 17.00 | 20.00 | 5.00 | 8.00 |
| SHC0502H-1R5M | 1.50 | 27.00 | 40.00 | 4.50 | 7.00 |
| SHC0502H-2R2M | 2.20 | 32.00 | 38.00 | 4.00 | 6.00 |
| SHC0502H-3R3M | 3.30 | 58.00 | 70.00 | 3.00 | 4.50 |
| SHC0502H-4R7M | 4.70 | 74.00 | 99.00 | 2.80 | 4.20 |
| SHC0502H-6R8M | 6.80 | 130.00 | 155.00 | 2.20 | 3.50 |
| SHC0502H-100M | 10.00 | 180.00 | 210.00 | 1.80 | 3.00 |

| 产品料号 Part NO. | L0 (μH) @100kHz /1.0V | 直流电阻 DCR (mΩ) | | 额定电流 I rms (A) | 饱和电流 I sat (A) |
|------------------|-----------------------------|------------------|--------|-------------------|-------------------|
| | | Typ. | Max. | Typ. | Typ. |
| SHC0503H-R47M | 0.47 | 7.00 | 8.50 | 8.00 | 14.00 |
| SHC0503H-R68M | 0.68 | 9.00 | 11.00 | 7.00 | 12.00 |
| SHC0503H-1R0M | 1.00 | 11.50 | 14.00 | 6.00 | 10.00 |
| SHC0503H-1R5M | 1.50 | 17.00 | 20.40 | 5.00 | 9.00 |
| SHC0503H-2R2M | 2.20 | 25.00 | 35.00 | 4.50 | 8.50 |
| SHC0503H-3R3M | 3.30 | 32.00 | 38.00 | 4.00 | 7.50 |
| SHC0503H-4R7M | 4.70 | 52.00 | 62.00 | 3.50 | 6.00 |
| SHC0503H-6R8M | 6.80 | 70.00 | 105.00 | 3.00 | 5.00 |
| SHC0503H-100M | 10.00 | 110.00 | 135.00 | 2.00 | 3.50 |
| SHC0503H-150M | 15.00 | 195.00 | 210.00 | 1.80 | 3.00 |
| SHC0503H-220M | 22.00 | 230.00 | 276.00 | 1.50 | 2.50 |

| 产品料号 Part NO. | L0 (μH) @100kHz /1.0V | 直流电阻 DCR (mΩ) | | 额定电流 I rms (A) | 饱和电流 I sat (A) |
|------------------|-----------------------------|------------------|-------|-------------------|-------------------|
| | | Typ. | Max. | Typ. | Typ. |
| SHC0602H-R10M | 0.10 | 2.20 | 3.30 | 15.00 | 30.00 |
| SHC0602H-R22M | 0.22 | 2.80 | 4.20 | 14.00 | 25.00 |
| SHC0602H-R22M | 0.22 | 3.50 | 4.50 | 14.00 | 25.00 |
| SHC0602H-R33M | 0.33 | 5.60 | 6.80 | 13.00 | 24.00 |
| SHC0602H-R47M | 0.47 | 7.10 | 8.50 | 10.00 | 22.00 |
| SHC0602H-R68M | 0.68 | 10.00 | 12.70 | 7.50 | 14.00 |

| | | | | | |
|---------------|-------|--------|--------|------|-------|
| SHC0602H-1R0M | 1.00 | 16.00 | 19.20 | 7.00 | 12.00 |
| SHC0602H-1R5M | 1.50 | 26.00 | 32.00 | 5.50 | 10.00 |
| SHC0602H-2R2M | 2.20 | 32.00 | 36.00 | 5.00 | 9.00 |
| SHC0602H-3R3M | 3.30 | 65.00 | 78.00 | 4.50 | 7.00 |
| SHC0602H-4R7M | 4.70 | 90.00 | 135.00 | 3.50 | 5.00 |
| SHC0602H-6R8M | 6.80 | 114.00 | 140.00 | 3.00 | 4.00 |
| SHC0602H-100M | 10.00 | 150.00 | 180.00 | 2.00 | 3.50 |

| 产品料号 Part NO. | L0 (μH) @100kHz /1.0V | 直流电阻 DCR (mΩ) | | 额定电流 I _{rms} (A) | 饱和电流 I _{sat} (A) |
|------------------|-----------------------------|------------------|--------|------------------------------|------------------------------|
| | | Typ. | Max. | Typ. | Typ. |
| SHC06024H-R10M | 0.10 | 1.80 | 2.50 | 20.00 | 35.00 |
| SHC06024H-R22M | 0.22 | 2.80 | 3.50 | 16.00 | 28.00 |
| SHC06024H-R33M | 0.33 | 3.50 | 5.00 | 11.00 | 20.00 |
| SHC06024H-R47M | 0.47 | 5.00 | 7.50 | 10.00 | 18.00 |
| SHC06024H-R68M | 0.68 | 7.00 | 10.50 | 9.00 | 16.00 |
| SHC06024H-1R0M | 1.00 | 13.00 | 19.50 | 8.00 | 13.00 |
| SHC06024H-1R5M | 1.50 | 15.00 | 22.50 | 7.00 | 12.00 |
| SHC06024H-2R2M | 2.20 | 26.00 | 34.00 | 6.00 | 10.00 |
| SHC06024H-3R3M | 3.30 | 29.00 | 35.00 | 5.00 | 9.00 |
| SHC06024H-4R7M | 4.70 | 41.00 | 50.00 | 4.00 | 6.00 |
| SHC06024H-6R8M | 6.80 | 71.00 | 85.00 | 3.00 | 5.00 |
| SHC06024H-100M | 10.00 | 90.00 | 108.00 | 2.00 | 4.00 |

| 产品料号 Part NO. | L0 (μH) @100kHz /1.0V | 直流电阻 DCR (mΩ) | | 额定电流 I _{rms} (A) | 饱和电流 I _{sat} (A) |
|------------------|-----------------------------|------------------|-------|------------------------------|------------------------------|
| | | Typ. | Max. | Typ. | Typ. |
| SHC0603H-R10M | 0.10 | 1.60 | 2.40 | 25.00 | 45.00 |
| SHC0603H-R22M | 0.22 | 2.60 | 3.20 | 20.00 | 35.00 |
| SHC0603H-R33M | 0.33 | 3.10 | 3.70 | 16.00 | 27.00 |
| SHC0603H-R47M | 0.47 | 3.60 | 4.50 | 14.00 | 20.00 |
| SHC0603H-R68M | 0.68 | 4.80 | 6.00 | 12.00 | 18.00 |
| SHC0603H-1R0M | 1.00 | 8.50 | 10.00 | 8.00 | 15.00 |
| SHC0603H-1R5M | 1.50 | 10.00 | 15.00 | 7.00 | 13.00 |
| SHC0603H-2R2M | 2.20 | 14.50 | 18.00 | 6.00 | 12.00 |
| SHC0603H-3R3M | 3.30 | 23.00 | 30.00 | 5.50 | 9.00 |
| SHC0603H-4R7M | 4.70 | 32.00 | 42.00 | 5.00 | 8.00 |
| SHC0603H-5R6M | 5.60 | 41.00 | 54.00 | 4.50 | 7.00 |
| SHC0603H-6R8M | 6.80 | 55.00 | 83.00 | 3.50 | 6.00 |

| | | | | | |
|---------------|-------|--------|--------|------|------|
| SHC0603H-100M | 10.00 | 80.00 | 105.00 | 3.00 | 5.00 |
| SHC0603H-150M | 15.00 | 110.00 | 130.00 | 2.50 | 4.00 |
| SHC0603H-220M | 22.00 | 120.00 | 160.00 | 2.00 | 3.50 |
| SHC0603H-330M | 33.00 | 220.00 | 280.00 | 1.80 | 2.50 |

| 产品料号 Part NO. | L0 (μH) @100kHz /1.0V | 直流电阻 DCR (mΩ) | | 额定电流 I rms (A) | 饱和电流 I sat (A) |
|------------------|-----------------------------|------------------|--------|-------------------|-------------------|
| | | Typ. | Max. | Typ. | Typ. |
| SHC0605H-R22M | 0.22 | 1.80 | 2.70 | 19.00 | 35.00 |
| SHC0605H-R47M | 0.47 | 3.10 | 4.00 | 14.00 | 24.00 |
| SHC0605H-R68M | 0.68 | 4.50 | 5.40 | 11.00 | 20.00 |
| SHC0605H-1R0M | 1.00 | 5.50 | 8.30 | 10.00 | 18.00 |
| SHC0605H-1R5M | 1.50 | 7.00 | 8.50 | 9.00 | 15.00 |
| SHC0605H-2R2M | 2.20 | 10.40 | 12.50 | 8.00 | 13.00 |
| SHC0605H-3R3M | 3.30 | 13.00 | 16.00 | 7.00 | 10.00 |
| SHC0605H-4R7M | 4.70 | 19.00 | 23.00 | 6.00 | 9.00 |
| SHC0605H-6R8M | 6.80 | 27.00 | 40.00 | 5.00 | 7.00 |
| SHC0605H-100M | 10.00 | 45.00 | 55.00 | 4.00 | 7.00 |
| SHC0605H-150M | 15.00 | 65.00 | 80.00 | 3.50 | 6.00 |
| SHC0605H-220M | 22.00 | 98.00 | 118.00 | 3.00 | 4.00 |
| SHC0605H-330M | 33.00 | 155.00 | 186.00 | 2.50 | 3.50 |
| SHC0605H-470M | 47.00 | 205.00 | 246.00 | 1.50 | 2.50 |
| SHC0605H-680M | 68.00 | 320.00 | 380.00 | 1.20 | 2.10 |

| 产品料号 Part NO. | L0 (μH) @100kHz /1.0V | 直流电阻 DCR (mΩ) | | 额定电流 I rms (A) | 饱和电流 I sat (A) |
|------------------|-----------------------------|------------------|-------|-------------------|-------------------|
| | | Typ. | Max. | Typ. | Typ. |
| SHC1004H-R22M | 0.22 | 0.60 | 0.80 | 30.00 | 50.00 |
| SHC1004H-R33M | 0.33 | 1.00 | 1.50 | 25.00 | 45.00 |
| SHC1004H-R47M | 0.47 | 1.20 | 1.80 | 20.00 | 35.00 |
| SHC1004H-R56M | 0.56 | 1.65 | 2.10 | 19.00 | 35.00 |
| SHC1004H-R68M | 0.68 | 1.70 | 2.50 | 17.00 | 32.00 |
| SHC1004H-1R0M | 1.00 | 2.50 | 3.50 | 15.00 | 25.00 |
| SHC1004H-1R5M | 1.50 | 4.80 | 6.00 | 13.00 | 22.00 |
| SHC1004H-2R2M | 2.20 | 6.70 | 10.00 | 11.00 | 18.00 |
| SHC1004H-3R3M | 3.30 | 10.50 | 13.00 | 10.00 | 17.00 |
| SHC1004H-4R7M | 4.70 | 14.00 | 18.00 | 8.00 | 13.00 |
| SHC1004H-6R8M | 6.80 | 18.50 | 22.00 | 6.00 | 11.00 |

| | | | | | |
|---------------|-------|--------|--------|------|------|
| SHC1004H-100M | 10.00 | 31.00 | 40.00 | 5.00 | 9.00 |
| SHC1004H-150M | 15.00 | 50.00 | 60.00 | 4.00 | 7.00 |
| SHC1004H-220M | 22.00 | 60.00 | 90.00 | 3.50 | 6.00 |
| SHC1004H-330M | 33.00 | 89.00 | 110.00 | 3.00 | 5.00 |
| SHC1004H-470M | 47.00 | 130.00 | 180.00 | 2.50 | 4.00 |
| SHC1004H-680M | 68.00 | 205.00 | 250.00 | 2.00 | 3.50 |

| 产品料号 Part NO. | L0 (μH) @100kHz /1.0V | 直流电阻 DCR (mΩ) | | 额定电流 I rms (A) | 饱和电流 I sat (A) |
|------------------|-----------------------------|------------------|--------|-------------------|-------------------|
| | | Typ. | Max. | Typ. | Typ. |
| SHC1005H-1R0M | 1.00 | 2.10 | 3.00 | 18.00 | 28.00 |
| SHC1005H-1R5M | 1.50 | 3.00 | 4.50 | 15.00 | 25.00 |
| SHC1005H-2R2M | 2.20 | 5.00 | 6.50 | 12.00 | 20.00 |
| SHC1005H-3R3M | 3.30 | 6.00 | 7.50 | 10.00 | 16.00 |
| SHC1005H-4R7M | 4.70 | 14.50 | 18.00 | 9.00 | 15.00 |
| SHC1005H-6R8M | 6.80 | 20.00 | 26.00 | 8.00 | 13.00 |
| SHC1005H-100M | 10.00 | 29.00 | 35.00 | 6.00 | 12.00 |
| SHC1005H-150M | 15.00 | 36.00 | 54.00 | 5.00 | 10.00 |
| SHC1005H-220M | 22.00 | 60.00 | 75.00 | 4.50 | 7.50 |
| SHC1005H-330M | 33.00 | 70.00 | 105.00 | 4.00 | 6.00 |
| SHC1005H-470M | 47.00 | 110.00 | 130.00 | 3.50 | 5.00 |
| SHC1005H-680M | 68.00 | 160.00 | 210.00 | 3.00 | 5.00 |
| SHC1005H-101M | 100.00 | 245.00 | 280.00 | 2.00 | 3.50 |

| 产品料号 Part NO. | L0 (μH) @100kHz /1.0V | 直流电阻 DCR (mΩ) | | 额定电流 I rms (A) | 饱和电流 I sat (A) |
|------------------|-----------------------------|------------------|-------|-------------------|-------------------|
| | | Typ. | Max. | Typ. | Typ. |
| SHC1204H-R47M | 0.47 | 1.30 | 1.80 | 25.00 | 45.00 |
| SHC1204H-R56M | 0.56 | 1.50 | 2.20 | 22.00 | 42.00 |
| SHC1204H-R68M | 0.68 | 2.00 | 2.60 | 20.00 | 40.00 |
| SHC1204H-1R0M | 1.00 | 2.90 | 3.50 | 18.00 | 38.00 |
| SHC1204H-1R5M | 1.50 | 4.40 | 5.30 | 15.00 | 30.00 |
| SHC1204H-2R2M | 2.20 | 5.00 | 6.50 | 12.00 | 20.00 |
| SHC1204H-3R3M | 3.30 | 12.00 | 16.00 | 11.00 | 18.00 |
| SHC1204H-4R7M | 4.70 | 14.50 | 17.50 | 10.00 | 16.00 |
| SHC1204H-6R8M | 6.80 | 19.00 | 30.00 | 6.00 | 11.00 |
| SHC1204H-100M | 10.00 | 27.00 | 33.00 | 5.00 | 8.00 |
| SHC1204H-220M | 22.00 | 49.00 | 58.00 | 4.00 | 7.00 |

| 产品料号 Part NO. | L0 (μH) @100kHz /1.0V | 直流电阻 DCR (mΩ) | | 额定电流 I rms (A) | 饱和电流 I sat (A) |
|------------------|-----------------------------|------------------|--------|-------------------|-------------------|
| | | Typ. | Max. | Typ. | Typ. |
| SHC1205H-R47M | 0.47 | 1.00 | 1.20 | 25.00 | 45.00 |
| SHC1205H-R68M | 0.68 | 1.20 | 1.60 | 23.00 | 38.00 |
| SHC1205H-R82M | 0.82 | 1.70 | 2.20 | 22.00 | 36.00 |
| SHC1205H-1R0M | 1.00 | 2.10 | 2.50 | 20.00 | 35.00 |
| SHC1205H-1R2M | 1.20 | 2.10 | 2.60 | 16.00 | 32.00 |
| SHC1205H-1R5M | 1.50 | 2.60 | 3.10 | 15.00 | 30.00 |
| SHC1205H-2R2M | 2.20 | 5.00 | 6.00 | 14.00 | 26.00 |
| SHC1205H-3R3M | 3.30 | 6.50 | 9.80 | 13.00 | 24.00 |
| SHC1205H-4R7M | 4.70 | 7.50 | 9.00 | 12.00 | 18.00 |
| SHC1205H-6R8M | 6.80 | 15.80 | 19.00 | 9.00 | 16.00 |
| SHC1205H-8R2M | 8.20 | 23.00 | 28.00 | 8.00 | 15.00 |
| SHC1205H-100M | 10.00 | 27.00 | 35.00 | 7.50 | 12.00 |
| SHC1205H-150M | 15.00 | 36.00 | 45.00 | 5.00 | 9.00 |
| SHC1205H-220M | 22.00 | 42.00 | 52.00 | 6.00 | 9.00 |
| SHC1205H-330M | 33.00 | 66.00 | 80.00 | 3.50 | 6.00 |
| SHC1205H-470M | 47.00 | 85.00 | 110.00 | 3.00 | 5.50 |
| SHC1205H-680M | 68.00 | 135.00 | 180.00 | 2.50 | 5.00 |

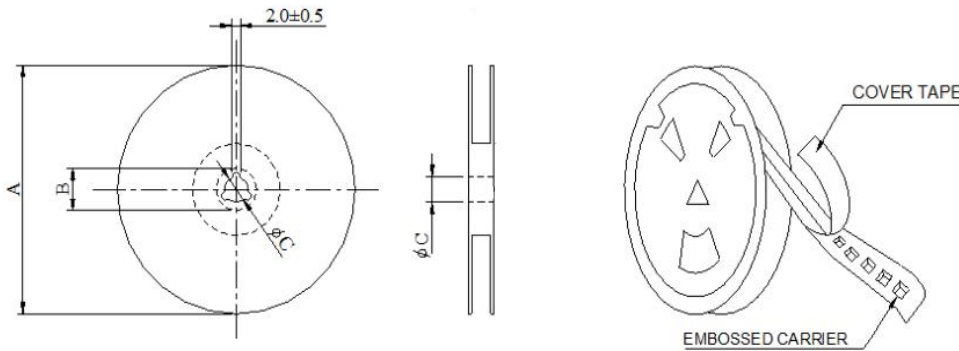
| 产品料号 Part NO. | L0 (μH) @100kHz /1.0V | 直流电阻 DCR (mΩ) | | 额定电流 I rms (A) | 饱和电流 I sat (A) |
|------------------|-----------------------------|------------------|--------|-------------------|-------------------|
| | | Typ. | Max. | Typ. | Typ. |
| SHC12065H-R22M | 0.22 | 0.58 | 0.90 | 45.00 | 70.00 |
| SHC12065H-1R0M | 1.00 | 2.10 | 3.00 | 20.00 | 35.00 |
| SHC12065H-1R5M | 1.50 | 2.40 | 3.60 | 20.00 | 32.00 |
| SHC12065H-2R2M | 2.20 | 3.20 | 4.80 | 15.00 | 30.00 |
| SHC12065H-3R3M | 3.30 | 5.00 | 6.50 | 14.00 | 24.00 |
| SHC12065H-4R7M | 4.70 | 7.50 | 10.00 | 10.00 | 20.00 |
| SHC12065H-100M | 10.00 | 15.50 | 20.00 | 8.00 | 14.00 |
| SHC12065H-150M | 15.00 | 27.00 | 32.00 | 7.00 | 13.00 |
| SHC12065H-220M | 22.00 | 30.00 | 45.00 | 6.00 | 12.00 |
| SHC12065H-330M | 33.00 | 54.00 | 65.00 | 5.00 | 9.00 |
| SHC12065H-470M | 47.00 | 82.00 | 98.00 | 4.00 | 6.00 |
| SHC12065H-680M | 68.00 | 110.00 | 132.00 | 3.00 | 5.00 |
| SHC12065H-101M | 100.00 | 155.00 | 185.00 | 2.50 | 4.50 |

| 测试项目 TEST ITEMS | 规格要求 SPECIFICATIONS | 测试条件/测试方法 TEST CONDITIONS / TEST METHODS |
|--|--|--|
| 电气特性测试ELECTRICAL PERFORMANCE TEST | | |
| 电感量 (L) | | MICROTEST6377 |
| 直流电阻 (DCR) | | TH2511 |
| 额定电流 (IDC) | 参照特性参数表 REFER TO STANDARD ELECTRICAL CHARACTERISTIC LIST. | 加载电流后, 电感量下降不超过 30%, 或温升不超过40°C APPLIED THE CURRENT TO COILS THE IDUCTANCE CHANGE SHOULD BE LESS THAN 30% TO INITIAL VALUE AND TEMPERATURE RISE SHOULD NOT BE 40°C TYPICAL |
| 温升测试 TEMPERATURERISE TEST | 温升不超过40°C | 加载额定电流, 保持4小时 APPLIED THE ALLOWED DC CURRENT FOR 4 HOURS. |
| 过载测试 OVER LOAD TEST | 没有明显的电气损坏 NO EVIDENCE OF ELECTRICAL DAMAGE | 加载1.5倍额定电流, 保持5分钟 APPLIED 1.5 TIMES OF RATED ALLOWED DC CURRENT TO INDUCTORS FOR A PERIOD OF 5 MINUTES. |
| 机械特性测试MECHANICAL PERFORMANCE TEST | | |
| 耐焊性 SOLDER HEAT RESISTANCE | 电感器无外观和电气特性损伤 INDUCTORS SHOULD HAVE NO EVIDENCE OF ELECTRICAL AND MICHANICAL DAMAGE | 预热: 150°C 100s Max. 焊锡温度SOLDER TEMPERATURE: 255±5°C DIP TIME:10s Max. |
| 振动测试 VIBRATION TEST | 电感量变化不超过10% INDUCTANCE SHOULD NOT HANGE MORE THAN±10% | 振幅: 1.5 mm 频率: 10-55-10HZ / 1 MIN 方向: X, Y, Z 时间: 2 HRS/X, Y, Z |
| 冲击测试 SHOCK TEST | | 待测品从距离地面1米高自由跌落 至3厘米后的木板上, 10次 INDUCTORS SHOULD BE DROPPED 10 TIMES FROM A HEIGHT OF 1m ONTO 3cm WOODEN BOARD. |
| 可焊性测试 SOLDERABILITY TEST | 超过90%的电极被锡覆盖 MORE THAN 90% OF TERMINAL ELECTRODE SHOULD BE COVERED WITH SOLDER. | 预热: 150°C 120s 焊接温度: 255±5°C 时间:10s Max. |

环境测试 CLIMATIC TEST

| | | |
|------------------------------------|--|---|
| 温度特性 TEMPERATURE CHARACTERISTIC | 无外观破损 APPEARANCE: NO DAMAGE 电感量变化不超过10% INDUCTANCE: WITHIN $\pm 10\%$ OF INITIAL VALUE. | -45°C ~ +125°C |
| 湿度测试 HUMIDITY TEST | | 60°C $\pm 2^\circ\text{C}$ / 96 ± 2 小时 R. H: 90-95%RH |
| 低温储存 LOW TEMPERATURE STORAGE | | -45°C $\pm 2^\circ\text{C}$ / 24小时 室温静置1小时后测试 Test at room temperature for 1 hour |
| 冷热冲击测试 THERMAL SHOCK TEST | | -45 $\pm 2^\circ\text{C}$ 30分钟, +125 $\pm 2^\circ\text{C}$ 30分钟 100次循环 静置2小时后测试 |
| 高温储存 HIGH TEMPERATURE STORAGE | | 125°C $\pm 2^\circ\text{C}$ / 24小时 室温静置1小时后测试 Test at room temperature for 1 hour |

包装方式 PACKAGE TYPE:

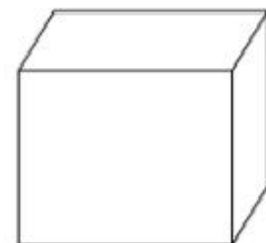


| DIMENSIONS (m/m) | |
|------------------|--------------|
| A | 330 |
| B | 21 ± 0.8 |
| C | 13 ± 0.5 |

| TYPE | SHC0402H | SHC0502H | SHC0503H | SHC0602H | SHC06024H | SHC0603H | SHC0605H |
|----------------|----------|----------|----------|----------|-----------|----------|----------|
| Quantity (pcs) | 3000 | 3000 | 2000 | 2000 | 2000 | 1000 | 1000 |

| TYPE | SHC1004H | SHC1005H | SHC1204H | SHC1205H | SHC12065H |
|----------------|----------|----------|----------|----------|-----------|
| Quantity (pcs) | 1000 | 800 | 800 | 500 | 500 |

材料: 透明载带, 透明冷封上带



middle carton/big carton