

SPECIFICATION FOR APPROVAL

承 认 书

CUSTOMER

客户名称:

DESCRIPTION

品 名: 共模滤波器

PART NO.

型 号: BCDT0903-2-172B

CUSTOMER PART NO.

客户料号:

APPROVAL SIGNATURE 客户承认签章

APPROVED BY 核 准	Q. C. DEPT. 品 管	CHECKED BY 核 查	DRAWN BY 制 作

深圳市宝创达电子有限公司

SHENZHEN BAOCHUANGDA ELECTRONICS CO., LTD.

地址: 深圳市龙华区观澜街道横坑河西村77号A栋2楼

Add: 2nd floor building A no.77 hexi village guanlan

Street longhua district shenzhen

Tel: 0755-29736760

Fax: 0755-28056434

Http:// www.bcdcn.com

BCDT0903-2-172B

DC COMMON MODE FILTER

FEATURES

- A common mode filter for large current applications.
Common mode impedance surpasses 500Ω at 20MHz-90MHz.
Noise is greatly suppressed.
- Capable of handling the highest current (up to 3A) of any common mode filter.
- Height and size have been considered, resulting in a compact and light-weight choke coil. Applicable for the miniaturization required to reduce the size and weight of portable equipment.
- The products contain no lead and also support lead-free soldering.
- The product does not contain regulated substances that are slated to be included in ROHS.

APPLICATIONS

Used for power line noise suppression for any electronic devices
Used to counter adapter/battery line noise for relatively large electronic devices such as notebook PCs, stand-alone word processors, etc

TEMPERATURE RANGES

Operating	-40to+100℃
Storage (After mount)	-40to+100℃

Part Number System

BCDT 0903 -2 -172 B

① ② ③ ④ ⑤

- ① Type:BCDT
- ② Core External Dimensions (mm):9*3
- ③ Number of Lines: 2
- ④ Impedance:172=1700Ω
- ⑤ Packing:Bulking

ELECTRICAL CHARACTERISTICS

Part No.	Impedance		DC resistance	Rated current	Insulation resistance
	(Ω) typ [at 50MHz]	(Ω) min [at 20MHz - 90MHz]	(mΩ) max [1 line]	I _{dc} (A) max	(MΩ) min
BCDT0903-2-172B	1700	500	23	3	10

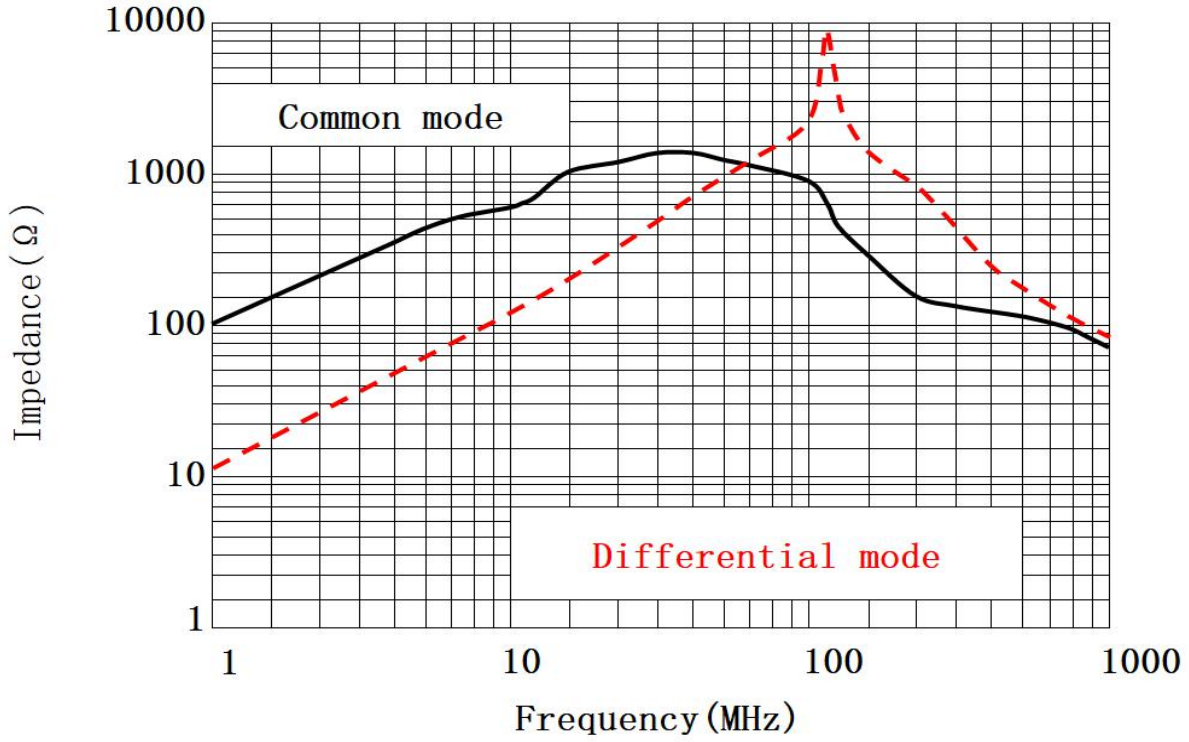
1/3

DC COMMON MODE FILTER

TYPICAL ELECTRICAL CHARACTERISTICS

IMPEDANCE vs. FREQUENCY CHARACTERISTICS

BCDT0903-2-172B

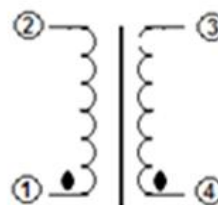
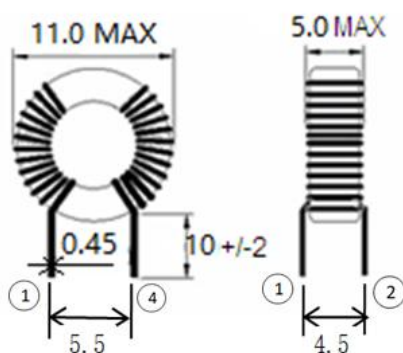


DC COMMON MODE FILTER

SHAPES AND DIMENSIONS/CIRCUIT DIAGRAM

◆ Dimensions (mm)

Schematics (Bottom)



No polarity

GENERAL CHARACTERISTICS

1. STORAGE TEMPERATURE RANGE : $-40^{\circ}\text{C} \sim +100^{\circ}\text{C}$
2. OPERATING TEMPERATURE RANGE : $-40^{\circ}\text{C} \sim +100^{\circ}\text{C}$ (INCLUDING SELF TEMPERATURE RISE)
3. EXTERNAL APPEARANCE : NO EXTERNAL DEFECTS CAN BE FOUND IN THE VISUAL INSPECTION.
4. TERMINAL STRENGTH : NO DISTINGUISHED TERMINAL PEELING OFF OR WIRE BROKEN SHOULD BE FOUND AFTER EACH OF THE TERMINAL IS APPLIED WITH STATIC PULLING FORCE OF 8N FOR 60 ± 5 SECONDS.
5. HEAT RESISTANCE : NO DISTINGUISHED STRUCTURE AND ELECTRIC DEFECTS SHOULD BE FOUND AFTER 1.5 ± 0.5 mm HIGH BOTTOM OF ALL THE TERMINALS ARE IMMERSDED IN THE MELTED SOLDER OF $270 \pm 5^{\circ}\text{C}$ FOR 5 ± 1 SECONDS.