

# SPECIFICATION FOR APPROVAL

## 承 认 书

CUSTOMER

客户名称:

DESCRIPTION

品 名: 共模滤波器

PART NO.

型 号: BCDT1206-2-222B

CUSTOMER PART NO.

客户料号:

APPROVAL SIGNATURE 客户承认签章

APPROVED BY 核 准	Q. C. DEPT. 品 管	CHECKED BY 核 查	DRAWN BY 制 作

深圳市宝创达电子有限公司

SHENZHEN BAOCHUANGDA ELECTRONICS CO., LTD.

地址: 深圳市龙华区观澜街道横坑河西村77号A栋2楼

Add: 2nd floor building A no.77 hexi village guanlan  
Street longhua district shenzhen

Tel: 0755-29736760 Fax: 0755-28056434

Http:// www.bcdcn.com

# BCDT1206-2-222B

## DC COMMON MODE FILTER

### FEATURES

- A common mode filter for large current applications.  
Common mode impedance surpasses 600Ω at 15MHz-70MHz.  
Noise is greatly suppressed.
- Capable of handling the highest current (up to 7A) of any common mode filter.
- Height and size have been considered, resulting in a compact and light-weight choke coil. Applicable for the miniaturization required to reduce the size and weight of portable equipment.
- The products contain no lead and also support lead-free soldering.
- The product does not contain regulated substances that are slated to be included in ROHS.

### APPLICATIONS

Used for power line noise suppression for any electronic devices  
Used to counter adapter/battery line noise for relatively large electronic devices such as notebook PCs, stand-alone word processors, etc

### TEMPERATURE RANGES

Operating	-40to+100℃
Storage (After mount)	-40to+100℃

### Part Number System

BCDT   1206   -2  -222   B

①   ②   ③   ④   ⑤

- ① Type:BCDT
- ② Core External Dimensions (mm):12\*6
- ③ Number of Lines: 2
- ④ Impedance:222=2200 Ω
- ⑤ Packing: Bulking

### ELECTRICAL CHARACTERISTICS

Part No.	Impedance		DC resistance	Rated current	Insulation resistance
	(Ω) typ [at 50MHz]	(Ω) min [at 15MHz - 70MHz]	(mΩ) max [1 line]	I <sub>dc</sub> (A) max	(MΩ) min
BCDT1206-2-222B	2200	600	10.5	7	10

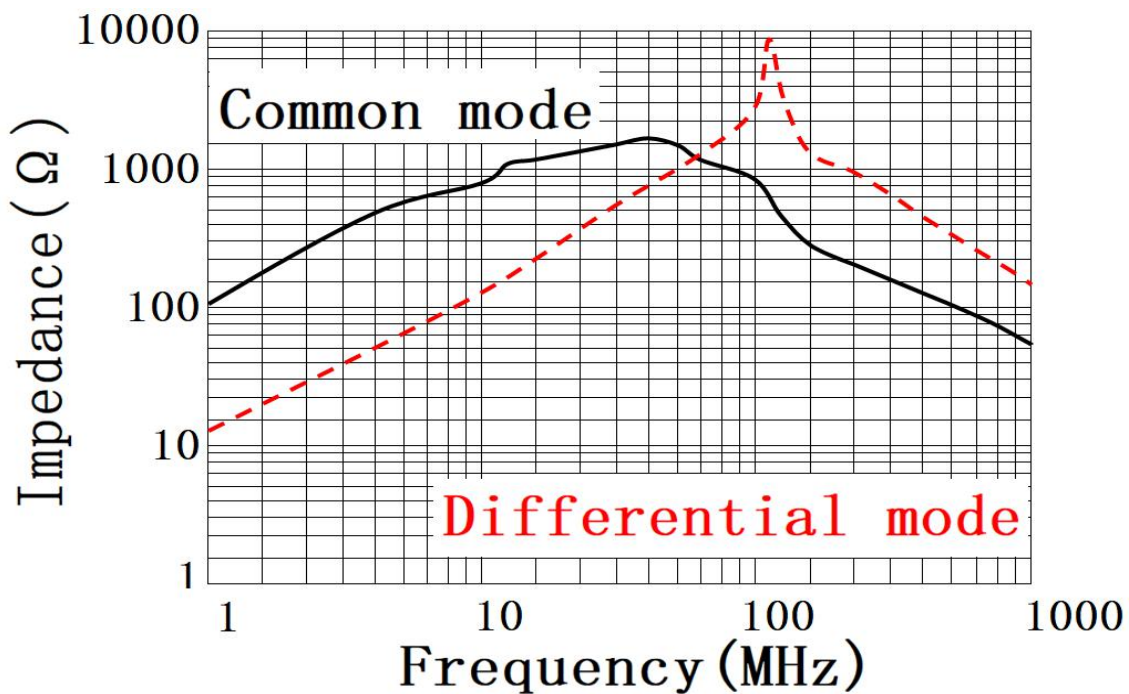
1/3

DC COMMON MODE FILTER

TYPICAL ELECTRICAL CHARACTERISTICS

IMPEDANCE vs. FREQUENCY CHARACTERISTICS

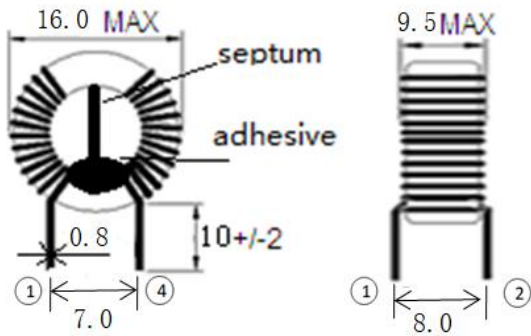
BCDT1206-2-222B



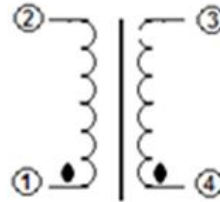
## DC COMMON MODE FILTER

## SHAPES AND DIMENSIONS/CIRCUIT DIAGRAM

## ◆ Dimensions (mm)



## Schematics (Bottom)



No polarity

## GENERAL CHARACTERISTICS

1. STORAGE TEMPERATURE RANGE :  $-40^{\circ}\text{C} \sim +100^{\circ}\text{C}$
2. OPERATING TEMPERATURE RANGE :  $-40^{\circ}\text{C} \sim +100^{\circ}\text{C}$  (INCLUDING SELF TEMPERATURE RISE)
3. EXTERNAL APPEARANCE : NO EXTERNAL DEFECTS CAN BE FOUND IN THE VISUAL INSPECTION.
4. TERMINAL STRENGTH : NO DISTINGUISHED TERMINAL PEELING OFF OR WIRE BROKEN SHOULD BE FOUND AFTER EACH OF THE TERMINAL IS APPLIED WITH STATIC PULLING FORCE OF 8N FOR  $60 \pm 5$  SECONDS.
5. HEAT RESISTANCE : NO DISTINGUISHED STRUCTURE AND ELECTRIC DEFECTS SHOULD BE FOUND AFTER  $1.5 \pm 0.5\text{mm}$  HIGH BOTTOM OF ALL THE TERMINALS ARE IMMERSDED IN THE MELTED SOLDER OF  $270 \pm 5^{\circ}\text{C}$  FOR  $5 \pm 1$  SECONDS.