

SPECIFICATION FOR APPROVAL

承 认 书

CUSTOMER

客户名称:

DESCRIPTION

品 名: 共模滤波器

PART NO.

型 号: BCDT1806-2-202B

CUSTOMER PART NO.

客户料号:

| |
|------------------------------|
| APPROVAL SIGNATURE 客户承认签章 |
| |

| APPROVED BY 核 准 | Q. C. DEPT. 品 管 | CHECKED BY 核 查 | DRAWN BY 制 作 |
|--------------------|--------------------|-------------------|-----------------|
| | | | |

深圳市宝创达电子有限公司

SHENZHEN BAOCHUANGDA ELECTRONICS CO., LTD.

地址: 深圳市龙华区观澜街道横坑河西村77号A栋2楼

Add: 2nd floor building A no.77 hexi village guanlan

Street longhua district shenzhen

Tel: 0755-29736760

Fax: 0755-28056434

Http:// www.bcdcn.com

BCDT1806-2-202B

DC COMMON MODE FILTER

FEATURES

- A common mode filter for large current applications.
Common mode impedance surpasses 700Ω at 15MHz-60MHz.
Noise is greatly suppressed.
- Capable of handling the highest current (up to 12A) of any common mode filter.
- Height and size have been considered, resulting in a compact and light-weight choke coil. Applicable for the miniaturization required to reduce the size and weight of portable equipment.
- The products contain no lead and also support lead-free soldering.
- The product does not contain regulated substances that are slated to be included in ROHS.

APPLICATIONS

Used for power line noise suppression for any electronic devices
Used to counter adapter/battery line noise for relatively large electronic devices such as notebook PCs, stand-alone word processors, etc

TEMPERATURE RANGES

| | |
|-----------------------|------------|
| Operating | -40to+100℃ |
| Storage (After mount) | -40to+100℃ |

Part Number System

BCDT 1806 -2 -202 B

① ② ③ ④ ⑤

- ① Type:BCDT
- ② Core External Dimensions (mm):18*6
- ③ Number of Lines: 2
- ④ Impedance:202=2000Ω
- ⑤ Packing:Bulking

ELECTRICAL CHARACTERISTICS

| Part No. | Impedance | | DC resistance | Rated current | Insulation resistance |
|-----------------|-----------------------|-------------------------------|-------------------|---------------|-----------------------|
| | (Ω) typ [at 40MHz] | (Ω) min [at 15MHz - 60MHz] | (mΩ) max [1 line] | Idc (A) max | (MΩ) min |
| BCDT1806-2-202B | 2000 | 700 | 6.5 | 12 | 10 |

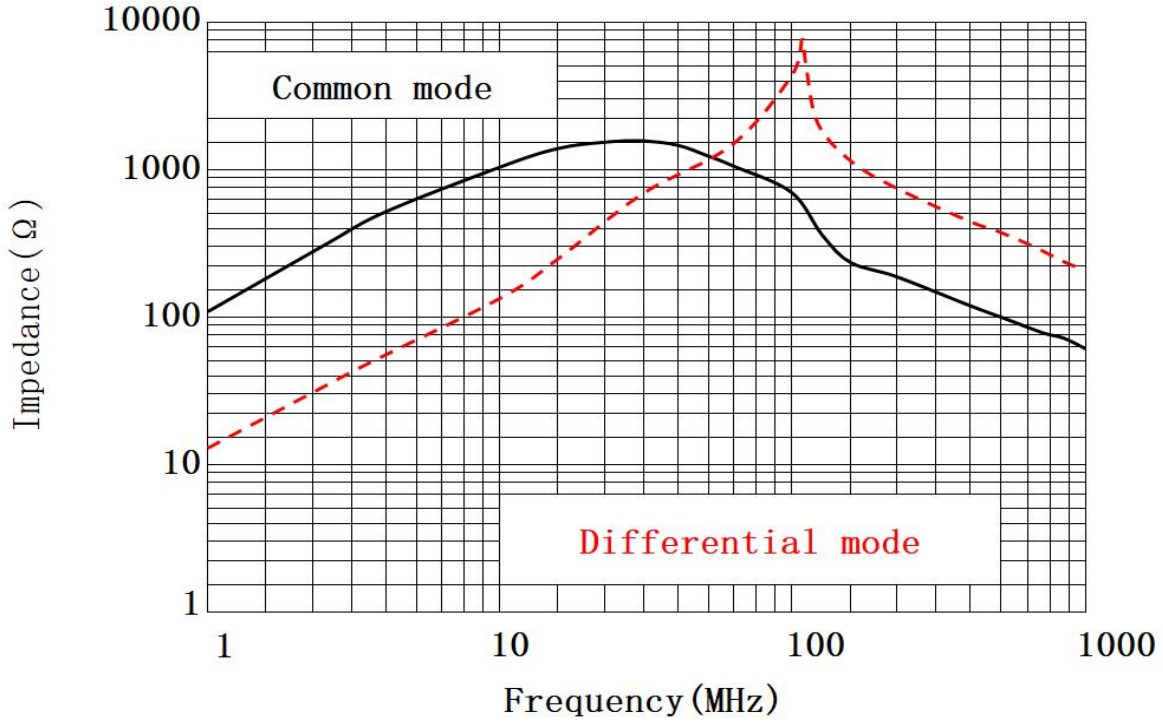
1/3

DC COMMON MODE FILTER

TYPICAL ELECTRICAL CHARACTERISTICS

IMPEDANCE vs. FREQUENCY CHARACTERISTICS

BCDT1806-2-202B

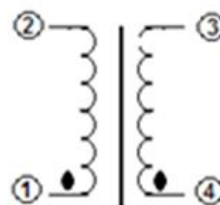
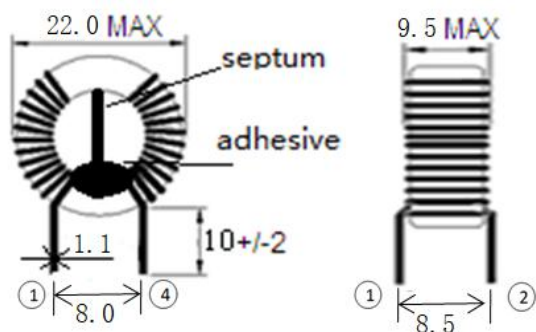


DC COMMON MODE FILTER

SHAPES AND DIMENSIONS/CIRCUIT DIAGRAM

◆ Dimensions (mm)

Schematics (Bottom)



No polarity

GENERAL CHARACTERISTICS

1. STORAGE TEMPERATURE RANGE : $-40^{\circ}\text{C} \sim +100^{\circ}\text{C}$
2. OPERATING TEMPERATURE RANGE : $-40^{\circ}\text{C} \sim +100^{\circ}\text{C}$ (INCLUDING SELF TEMPERATURE RISE)
3. EXTERNAL APPEARANCE : NO EXTERNAL DEFECTS CAN BE FOUND IN THE VISUAL INSPECTION.
4. TERMINAL STRENGTH : NO DISTINGUISHED TERMINAL PEELING OFF OR WIRE BROKEN SHOULD BE FOUND AFTER EACH OF THE TERMINAL IS APPLIED WITH STATIC PULLING FORCE OF 8N FOR 60 ± 5 SECONDS.
5. HEAT RESISTANCE : NO DISTINGUISHED STRUCTURE AND ELECTRIC DEFECTS SHOULD BE FOUND AFTER 1.5 ± 0.5 mm HIGH BOTTOM OF ALL THE TERMINALS ARE IMMERSDED IN THE MELTED SOLDER OF $270 \pm 5^{\circ}\text{C}$ FOR 5 ± 1 SECONDS.