

SPECIFICATION FOR APPROVAL

承 认 书

CUSTOMER 客户名称:	NUMBER 编 号: Y-18020101
DESCRIPTION 品 名: 贴片共模电感	QUANTITY 数 量: 10pcs
PART NO. 型 号: BCDM116-2-681T	DATE 日 期: 2018/6/21
CUSTOMER PART NO. 客户料号:	NOTE 注 解:

APPROVAL SIGNATURE 客户承认签章

APPROVED BY 核 准	Q. C. DEPT. 品 管	CHECKED BY 核 查	DRAWN BY 制 作

深圳市宝创达电子有限公司

SHENZHEN BAOCHUANGDA ELECTRONICS CO., LTD.

地址: 深圳市龙华区观澜街道横坑河西村77号A栋2楼
Add: 2nd floor building A no.77 hexi village guanlan
Street longhua district shenzhen

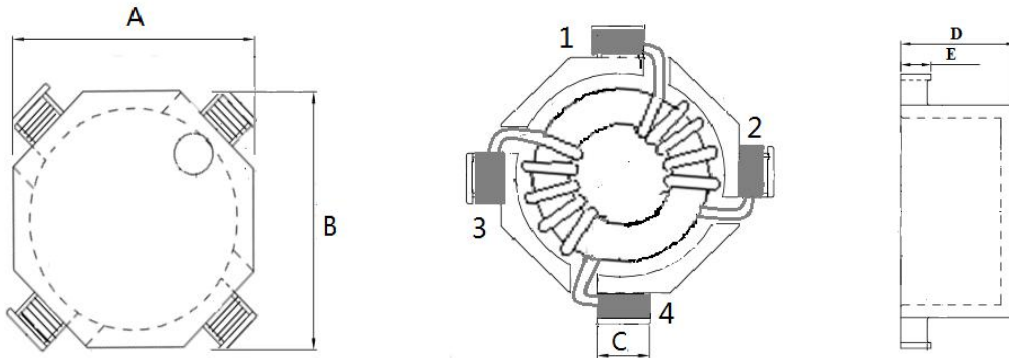
Tel: 0755-29736760

Fax: 0755-28056434

客户 CUSTOMER		规格型号 PART NO	BCDM116-2-681T
----------------	--	-----------------	----------------

1: 外形尺寸: (单位: mm)

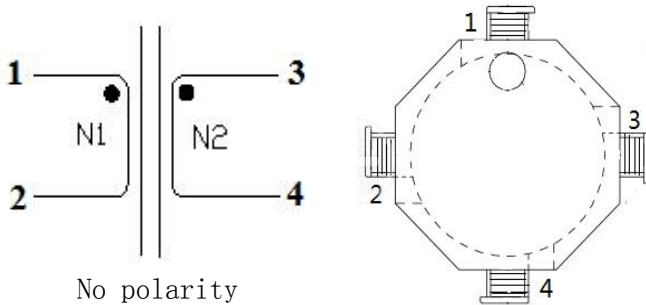
OVERALL DIMENSION (UNIT: mm)



尺寸	A	B	C	D	E
单位mm	11.7±0.3	11.7±0.3	2.3typ	6.5MAX	1.6±0.3

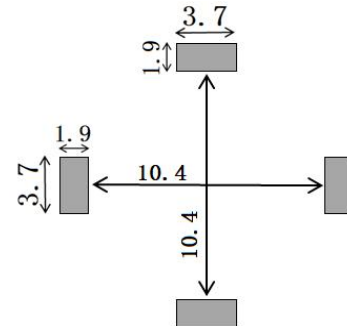
2: 接线图: 两组线分绕

WIRING DIAGRAM: SEPARATE WINDING



3: 焊接尺寸: mm

WELDING DIMENSION: mm



4: 电气性能参数(ELECTRICAL PARAMETERS)

电感量及允许偏差 (1KHz/ 0.25V)	L12=L34: 680UH(MIN)
直流电阻 DC RESISTANCE	72mΩ (MAX)
额定电流 RATED CURRENT	1.5A MAX
阻抗(10MHz) IMPEDANCE	5000Ω MIN

测试仪表 (MEASUREMENT INSTRUMENT):

HM2791 HM2801 HP4285
CH19073

在最坏情况下建议零件的温度不超过+125° C。(It is recommended that the temperature of the part does not exceed +125° C under worst case conditions.)

贮存环境(Storage conditions):存放环境温度-20° C至60° C,相对湿度不高于70%,并存放在不含硫和氯的空气气氛中(请不要直接暴露在阳光下) Storage ambient temperature-20° C to 60° C, 70%RH or less, and isolate the parts from sulphuric and chloric atmosphere. (Please don't expose to the sun directly)

Note:	SPEC. NO. : Y-18020101 1/2
-------	----------------------------------

客户 CUSTOMER		规格型号 PART NO	BCDM116-2-681T
----------------	--	-----------------	----------------

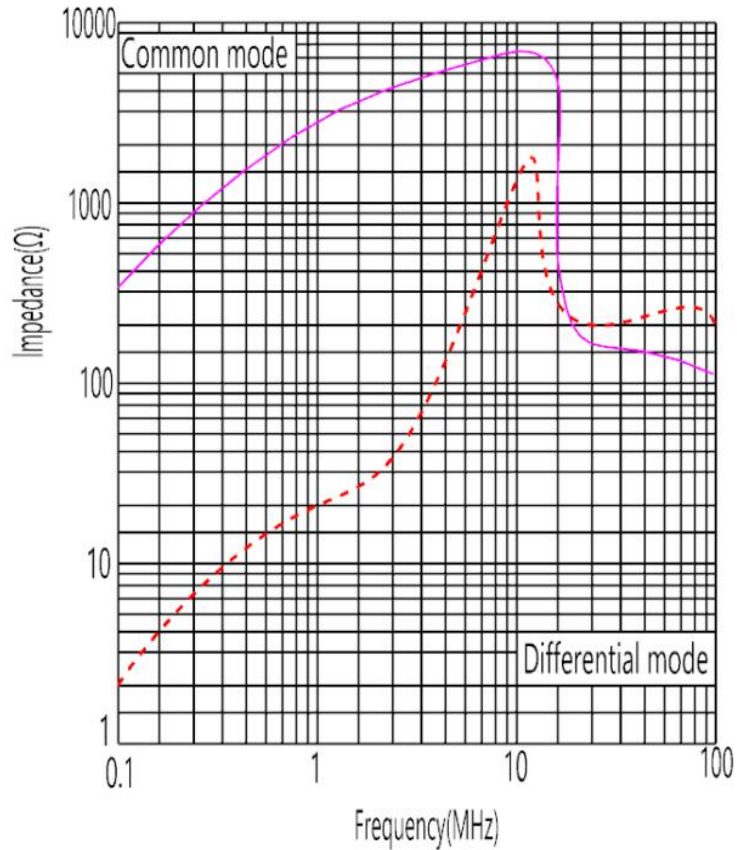
零件工作温度(Operating temperature of parts): -40° C - 125° C

温升 (Temperature Rise) : < 55K

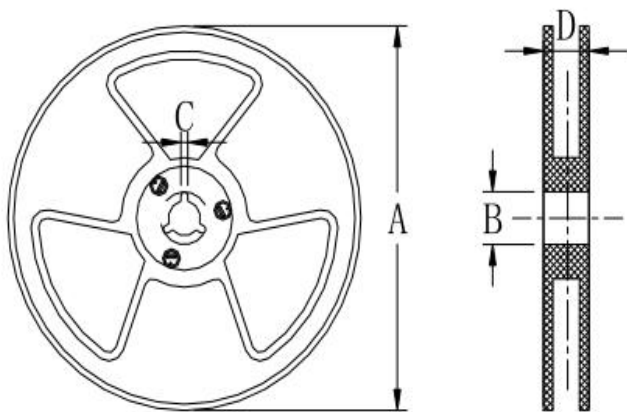
电性能试验条件 (Est conditions of Electrical Properties) : 20° C、相对湿度33%
(20° C, 33% RH)

没有特殊规定下 (If not specified differently)

5: 阻抗曲线图 (IMPEDANCE CURVE)



6: 包装 (PACKING)



规格	13"	7"
尺寸	Φ	Φ
A	330±2.0	178±2.0
B	Φ90 ± 2.0	
C	2.3	
D	30.5	

Note:	SPEC. NO. : Y-18020101 2/2
-------	----------------------------------